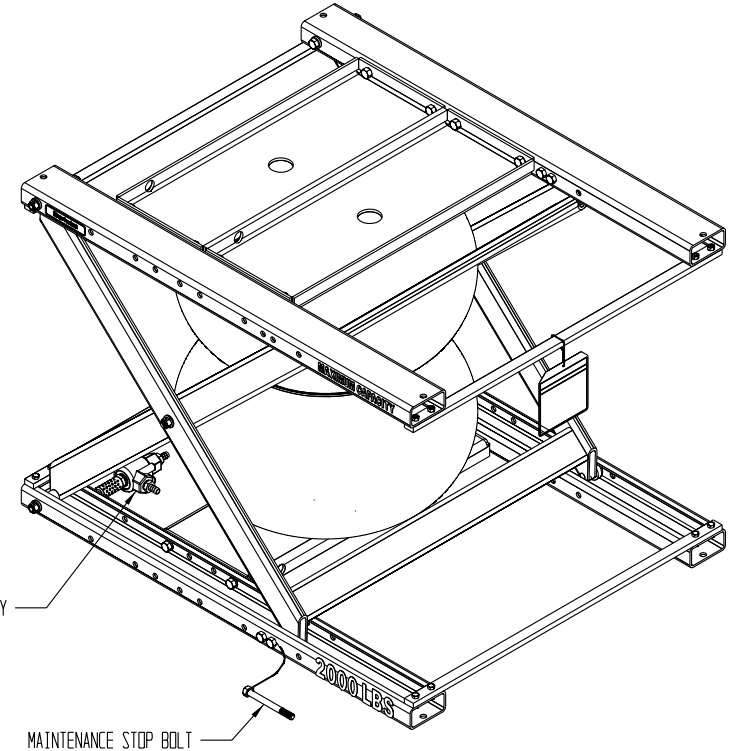
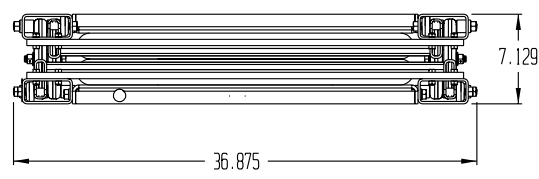
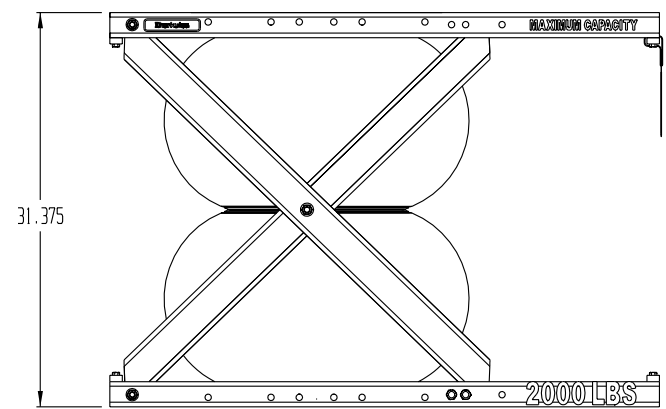
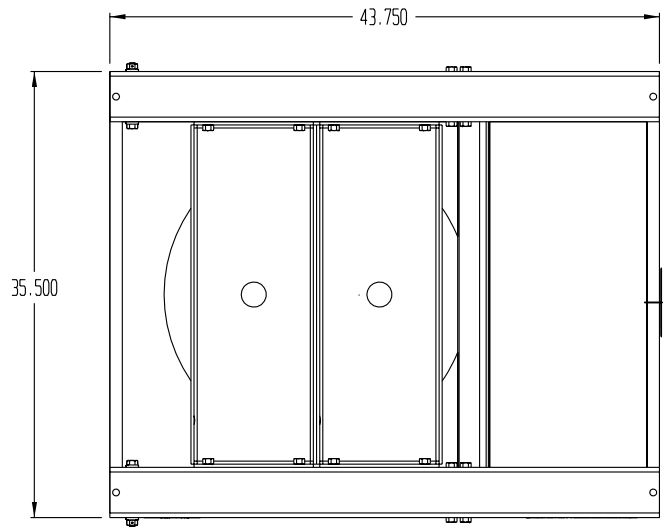


PART #: A1050-20

REVISIONS			
REV	DESCRIPTION	DATE	APPROVED



LIFT SPECIFICATIONS
 CAPACITY: 2000 LBS
 CONTROLLER: NONE
 CONTROLLER MOUNT: NONE
 INTERNAL VALVE: NON PILOT EXHAUST
 SAFETY FEATURES: MAINTENANCE STOP
 SKIRT: NONE
 COLOR: MULTI

POS	PART#	MATERIAL#	DESCRIPTION	QTY	UNIT
TOLERANCES UNLESS OTHERWISE NOTED .X ± .250 .XX ± .125 .XXX ± 0.030 .XXXX ± 0.0050 ANGLE ± 1°					
			2760 RIDGEWAY COURT • WALLED LAKE, MI. 48390-1662 TITLE: LIFT MODULE A1050-20		
DRN: CP 09-18-06		MATERIAL:			
PART #: A1050-20		CHKD. BY:	DWG NO.: 02064125	REV:	REF: