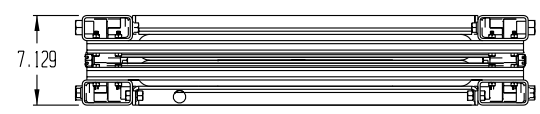
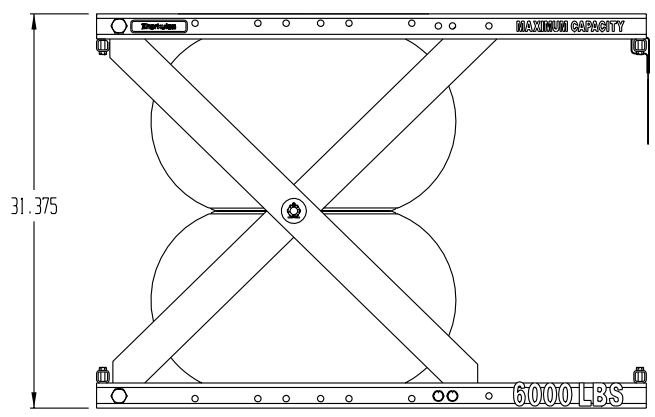
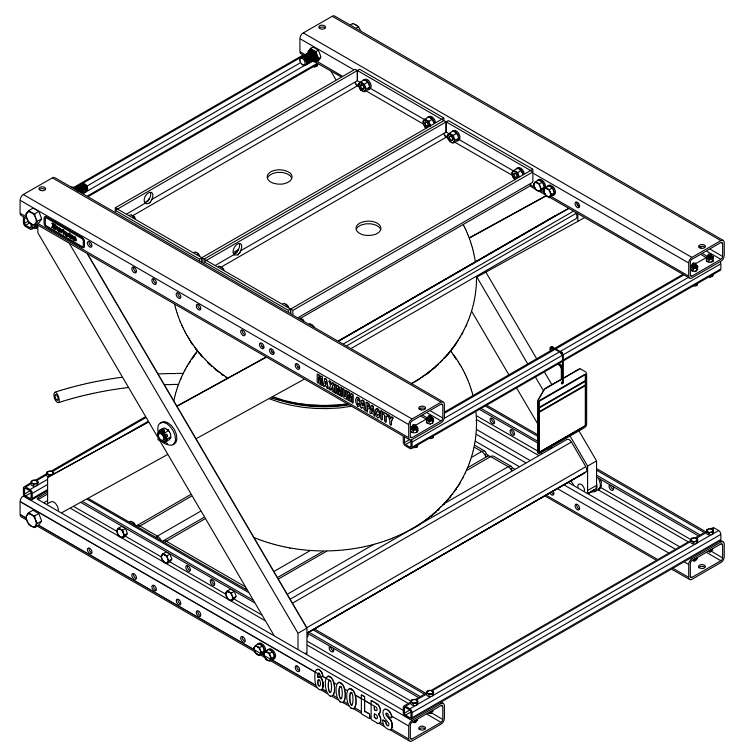
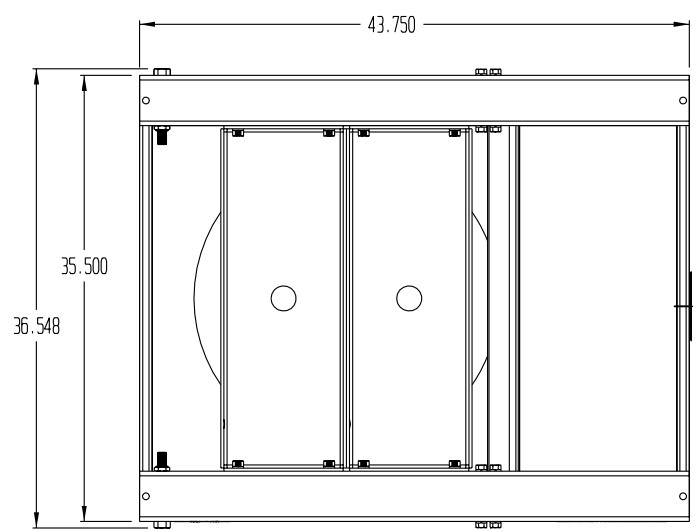


PART #: A1050-60

REVISIONS			
REV	DESCRIPTION	DATE	APPROVED
A	UPDATED SCISSORS/BRACES/HARDWARE	04-20-07	J.PARKER



PDS	PART#	MATERIAL#	DESCRIPTION	QTY	UNIT
<p>TOLERANCES UNLESS OTHERWISE NOTED            .X ± .250            .XX ± .125            .XXX ± 0.030            .XXXX ± 0.0050            ANGLE ± 1°</p>					
			2760 RIDGEWAY COURT • WALLED LAKE, MI. 48390-1662 TITLE: LIFT MODULE A1050-60		
DRN: JP 04-20-07		MATERIAL:			
PART #: A1050-60		CHKD. BY:	DWG NO.: 02064132	REV: A	REF: