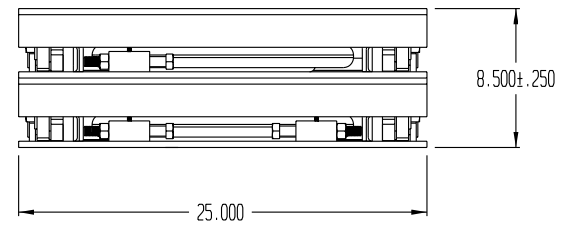
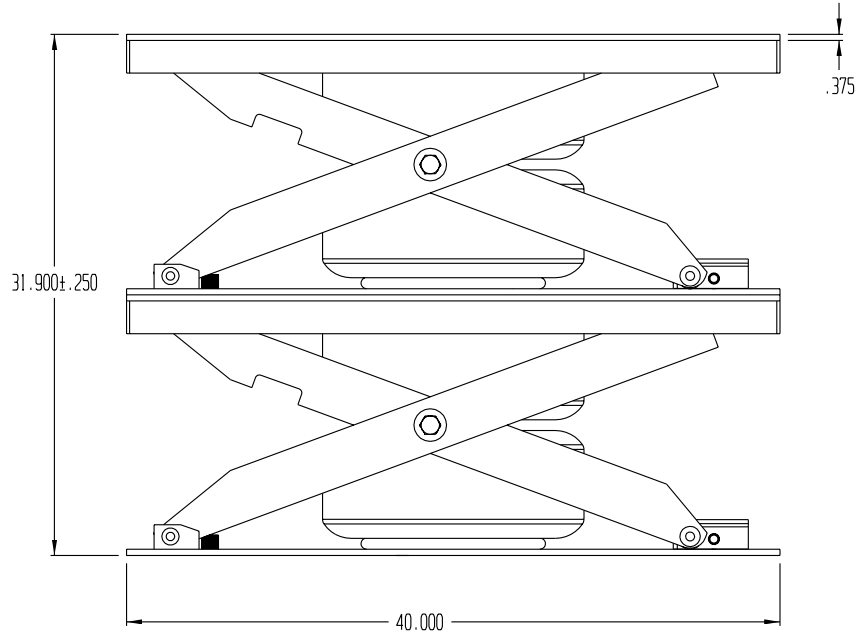
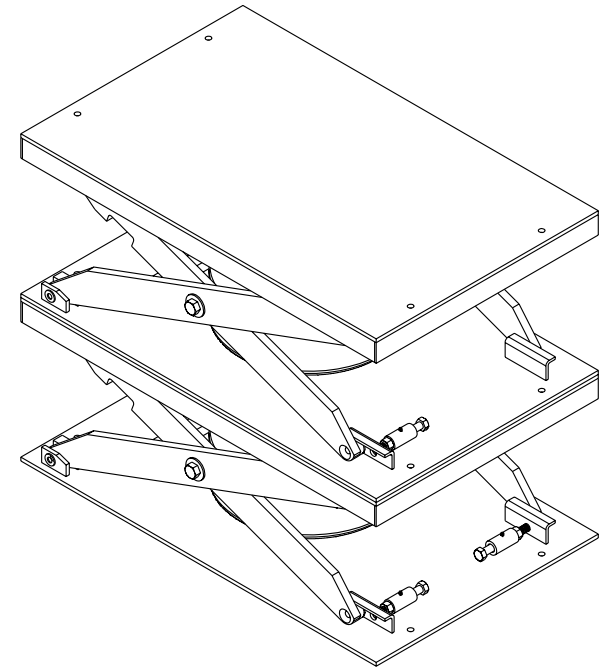
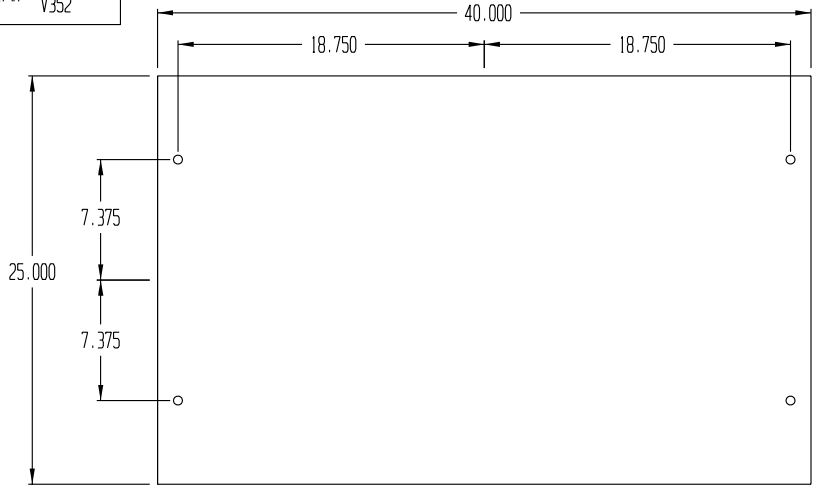


PART #: V352

REVISIONS			
REV	DESCRIPTION	DATE	APPROVED



LIFT SPECIFICATIONS
 CAPACITY: 3000 LBS
 SAFETY FEATURES: PRESSURE RELIEF VALVE

POS	PART#	MATERIAL#	DESCRIPTION	QTY	UNIT
TOLERANCES UNLESS OTHERWISE NOTED .X ± .250 .XX ± .125 .XXX ± 0.030 .XXXX ± 0.0050 ANGLE ± 1°					
			2760 RIDGEWAY COURT • WALLED LAKE, MI. 48390-1662 TITLE: LIFT MODULE DOUBLE V352		
DRN: JP 08-04-06		MATERIAL:			
PART #: V352		CHKD. BY:	DWG NO.: 02064044	REV:	REF: