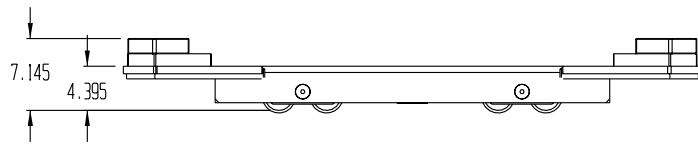
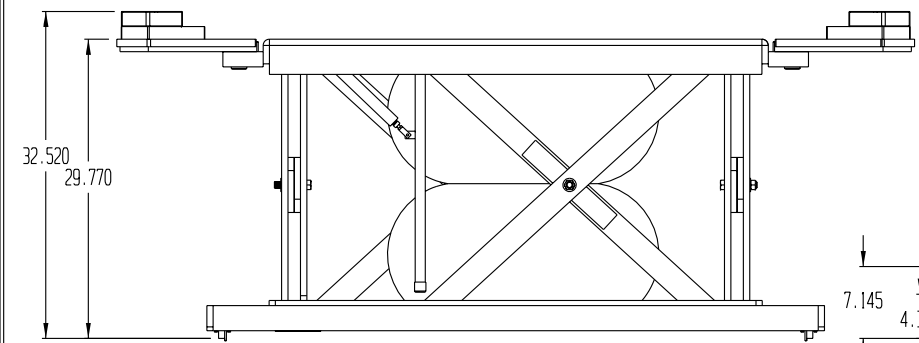
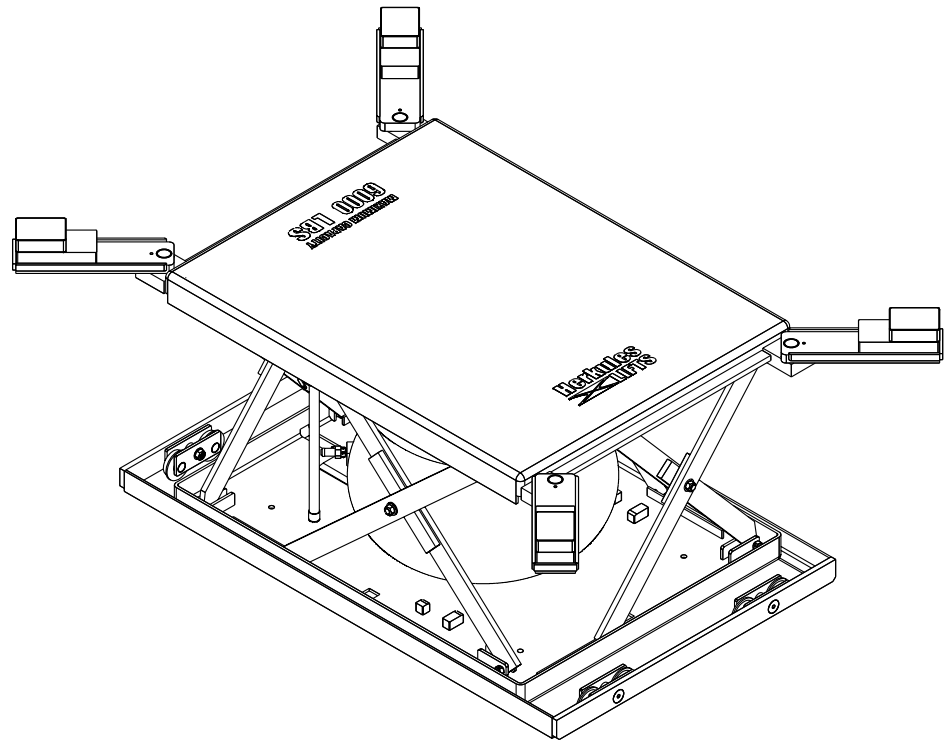
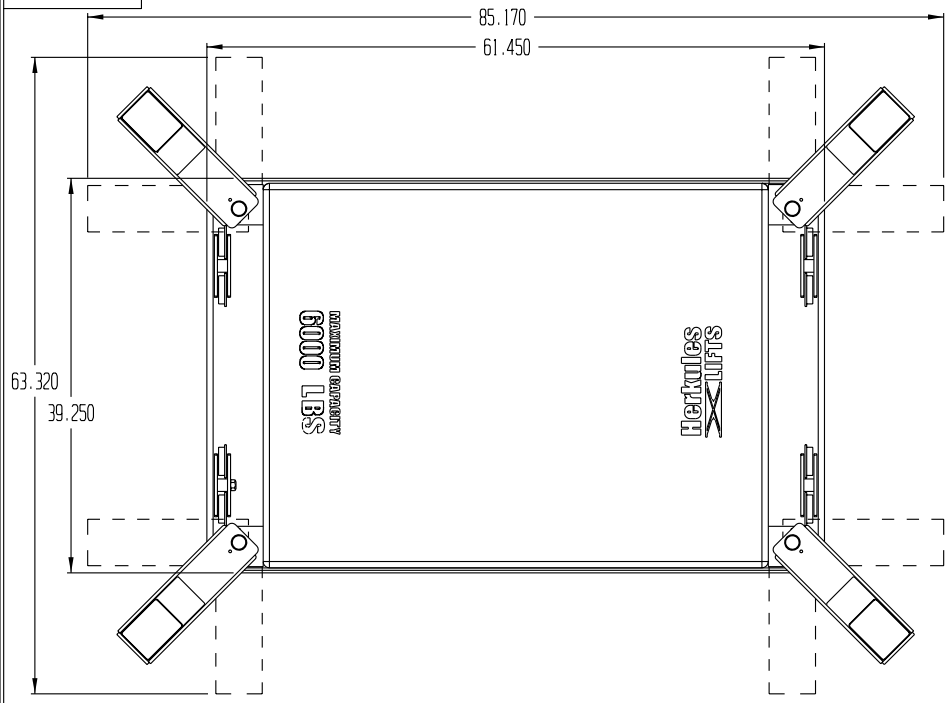


PART #: K900R

REVISIONS			
REV	DESCRIPTION	DATE	APPROVED



POS	PART#	MATERIAL#	DESCRIPTION	QTY	UNIT
<p>TOLERANCES UNLESS OTHERWISE NOTED .X ± .250 .XX ± .125 .XXX ± 0.030 .XXXX ± 0.0050 ANGLE ± 1°</p>					
		<p>2760 RIDGEWAY COURT • WALLED LAKE, MI. 48390-1662</p>			
<p>DRN: JP 7-3-06</p>		<p>MATERIAL:</p>			
<p>PART #: K900R</p>		<p>CHKD. BY: DWG NO.: 02063855</p>		<p>REV: REF:</p>	

herkules™
 2760 RIDGEWAY COURT • WALLED LAKE, MI. 48390-1662
 TITLE: LIFT VEHICLE SWVL SWNG ARMS STSRAIL